


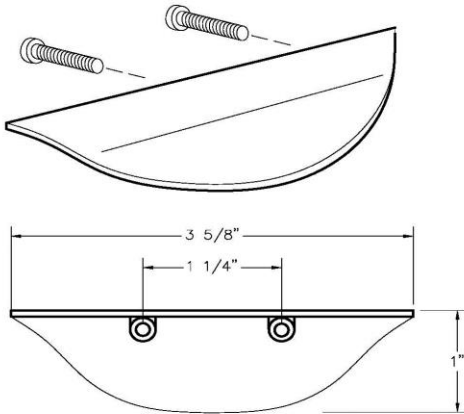
SPECIFICATIONS FOR 2017 FCM CATALOG

FCM P-18 PULL																	
						MATTE BLACK, SILVER SATIN CHROME POLISH CHROME		MATTE BLACK, SILVER SATIN CHROME POLISH CHROME		MATTE BLACK, SILVER SATIN CHROME POLISH CHROME		SATIN NICKEL MEDIUM ANTIQUE BRONZE POLISH BRASS/SATIN BRASS		SATIN NICKEL MEDIUM ANTIQUE BRONZE POLISH BRASS/SATIN BRASS		SATIN NICKEL MEDIUM ANTIQUE BRONZE POLISH BRASS/SATIN BRASS	
PART NUMBER	OVERALL LENGTH	HOLE CTC	HOLES	PROJECTION	DEPTH	1-99	100-499	500-999	1-99	100-499	500-999	1-99	100-499	500-999			
FCM-P-18-S	3-5/8"	1-1/4"	2	1-1/16"	3/4"	6.78	6.55	6.35	7.55	7.30	6.25						
FCM-P-18-M	5-3/4"	3"	2	1-1/8"	1"	8.80	9.65	9.40	14.55	14.25	14.00						
FCM-P-18-L	6-3/4"	3"	2	7/8"	3/4"	8.98	8.80	8.35	10.45	10.20	9.80						
FCM-P-18-G	6-3/4"	3-3/4"	2	1-1/8"	3/4"	8.98	8.80	8.35	10.45	10.20	9.80						
FCM-P-18-SG	10-3/4"	5"	3	1-1/16"	11-1/16"	13.55	13.45	13.00	13.80	13.00	12.50						
<p>Our FCM-P-18 Pull has a soft radius surface that allows for your finish to really be a show off.</p> <p>We can polish and plate or powder coat in any finish you require.</p> <p>Our standard finishes are based on the most popular requests but any custom finish can be achieved on this quality material.</p> <p>Please call us for any special request you may have. We are here and always eager to help!</p>																	

Fantasy Creations in Metal Inc.

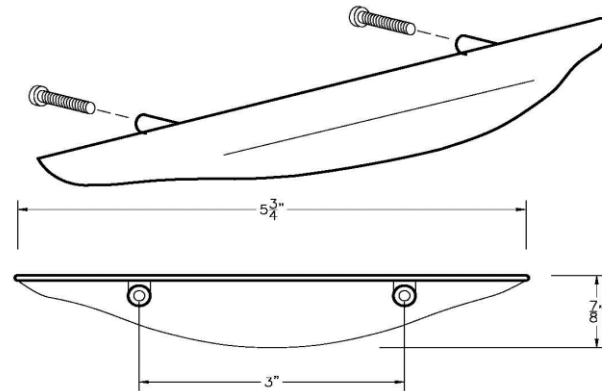
Ph-951.280.0438 Fax~951.280.0458 Metalsdiva@FCMetals.com www.FCMetals.com

FCM-P-81-S



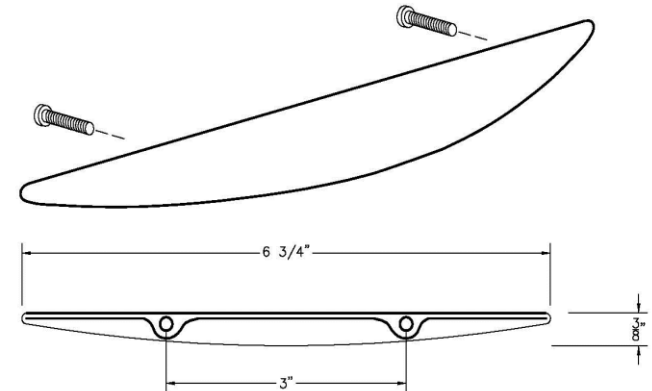
BACK VIEW

FCM-P-81-M



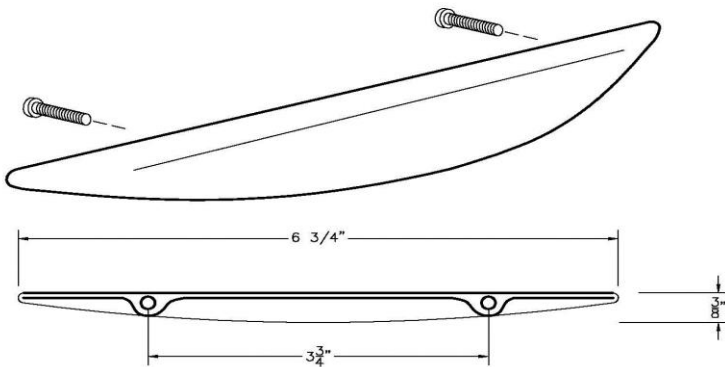
BACK VIEW

FCM-P-81-L



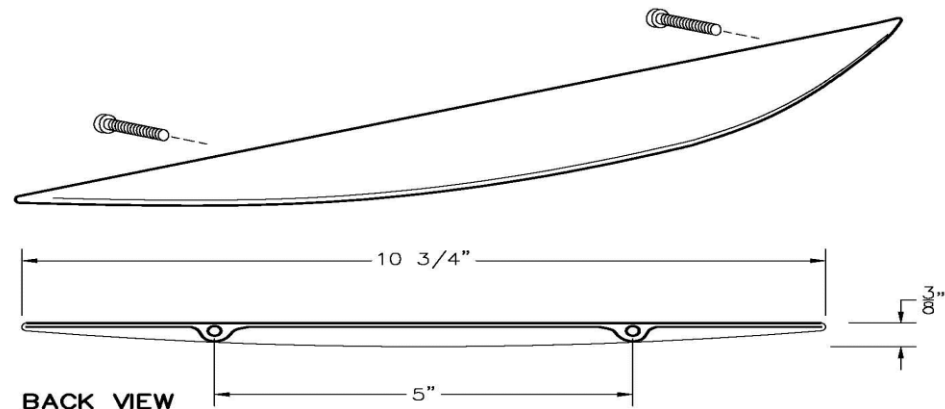
BACK VIEW

FCM-P-81-G



BACK VIEW

FCM-P-81-SG



BACK VIEW